

BUILT
SYSTEMS

**PRODUCT
SPECS 2021**

MB1200

ELECTRIC HEIGHT ADJUSTABLE
MACHINE BASE



LIFT CAPACITY

1200 lbs

STANDARD SIZES

Starting height: 26.5" | 30.5"

Widths: 36" | 48" | 60" | 72" | 84"

Depths: 24" | 30" | 36"

ADJUSTMENT

12" or 16" vertical adjustment
at .25" per second

Simple or programmable
control switch

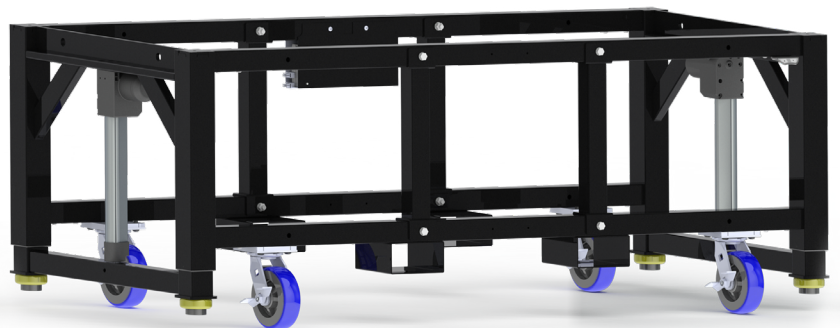
STANDARD COLORS

	RAL 9003 - Signal White
	RAL 7037 - Dusty Grey
	OB07 - Matte Black

STABILITY

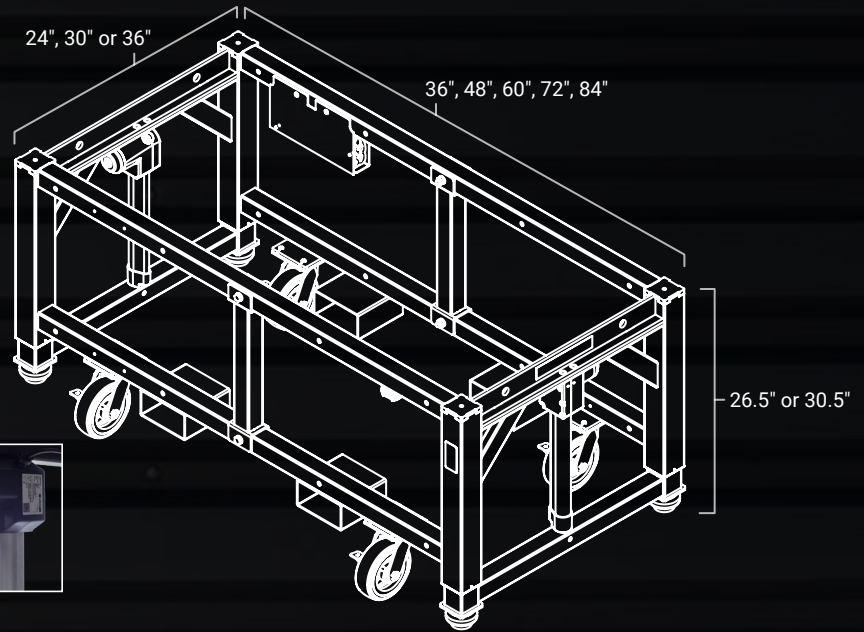
Rigid cold-rolled steel construction

Anti-vibration mounts with
retractable 6" swivel casters
or a bolt-to-floor option.



TECHNICAL

MB1200



ANCHORED MOUNTS

4 in x 5.5 in Tear-Drop Shape
9/16 in Anchor Hole
5/8-11 Thread
7.5° Range Of Motion
Ball-and-Socket Swivel
8 in Stud Length
6000 lbs Capacity Each

MIGHTY MOUNTS

Anti-Vibration, Leveling
3 in Diameter
3/8-16 Thread
8Hz Natural Frequency
700 lbs Capacity Each

CASTERS

6 in Swivel With Brake
(Rigid Casters Optional)
Polyurethane -
Shore A 80 Durometer
1100 lbs Capacity Each

ACTUATORS

Custom Designed 12 in or 16 in
Linear Actuators (Bolt-On)
IP66 Rated
Speed - 6.3 mm/Second
(1/4 in/Second) @ Zero Load
3.5 mm/Second
(9/64 in/Second) @ Max Load
1200 lbs Maximum Weight Capacity
(Evenly Distributed)
Mechanical Brake Spindle Nut For
Redundant Protection

ELECTRICAL

Synchronized Control Box
Simple "Paddle" Style Up/down Switch
Required - 1 NEMA 5-15 Receptacle*
Required - 120VAC, 15 Amp Circuit*
400 Watt Maximum Power Consumption (Under Max Load)
Standby Power Consumption < 0.3 Watts
Operating Temperature 0-35° C
Control Box Rated IP20

**Other plug types and power options are available upon request.*

MECHANICAL SPECS

Carbon Steel (ASTM-A513) Construction including:
2 in Square 12 ga Horizontal Width and Depth Tubes
8 ga MIG Welded Modular Brackets - M8 Tapped Holes
70 mm Square Vertical Telescoping Columns
Patented Telescoping Glide System
Custom Fit For Each Column During Assembly
1/2 in Thick Column Top Mount Pads
Column Centered M10 Tapped Holes
3/8 in Thick MIG Welded M10 Tapped Caster Plates
6 in x 3 in x 1/8 in MIG Welded Fork Tube Targets

Specifications may vary based on system configuration and workload.