



**PRODUCT
GUIDE &
SPECS**

2021/2022

BUILT
SYSTEMS

MACHINE BASES

MB800 | MB1200 | MB3500

MACHINE BASES

Every successful structure begins with a strong foundation – just as your machine should develop from a solid base.

Driven by custom-designed actuators, BUILT Systems' Machine Bases are height adjustable – lifting 800-6500 pounds to bring the workstation to the user's ideal working height.

Once a machine base has been selected, a variety of applications can be built upon its sturdy and modular base to meet the unique needs of your company, no matter your industry.



MB800

ELECTRIC HEIGHT ADJUSTABLE
MACHINE BASE



LIFT CAPACITY

800 lbs

STANDARD SIZES

Starting height: 30" | 34"
Widths: 24" | 30" | 36"
Depths: 30"

ADJUSTMENT

12" or 16" vertical adjustment
at .25" per second

Simple or programmable
control switch

STANDARD COLORS

-  RAL 9003 - Signal White
-  RAL 7037 - Dusty Grey
-  OB07 - Matte Black

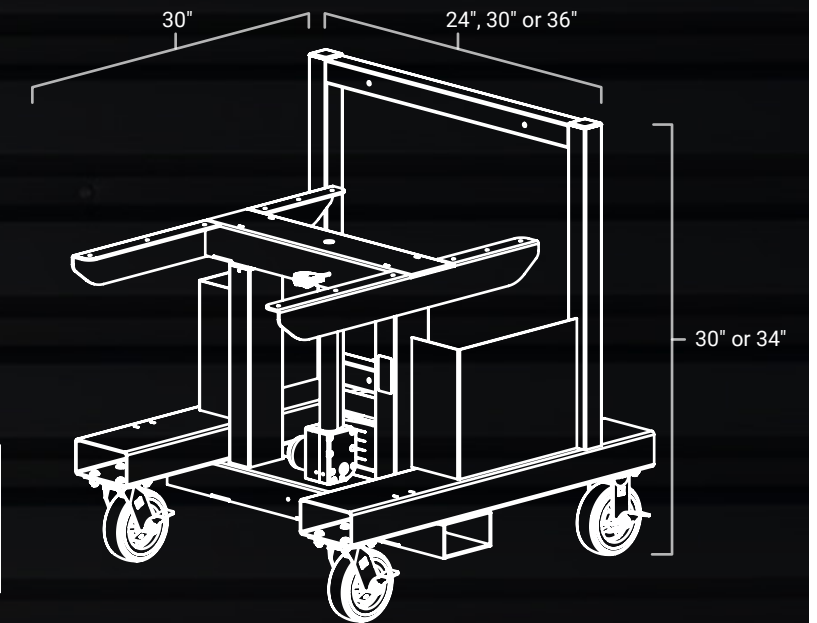
STABILITY

Rigid cold-rolled steel construction
Choose from anti-vibration mounts,
6" swivel casters or a bolt-to-floor
option.



TECHNICAL

MB800



ANCHORED MOUNTS

4 in x 5.5 in Tear-Drop Shape
9/16 in Anchor Hole
5/8-11 Thread
7.5° Range Of Motion
Ball-and-Socket Swivel
8 in Stud Length
6000 lbs Capacity Each

MIGHTY MOUNTS

Anti-Vibration, Leveling
3 in Diameter
3/8-16 Thread
8Hz Natural Frequency
700 lbs Capacity Each

CASTERS

6 in Swivel With Brake
(Rigid Casters Optional)
Polyurethane -
Shore A 80 Durometer
1100 lbs Capacity Each

ACTUATORS

Custom Designed 12 in or 16 in
Linear Actuators (Bolt-On)
IP66 Rated
Speed - 6.3 mm/Second
(1/4 in/Second) @ Zero Load
3.5 mm/Second
(9/64 in/Second) @ Max Load
800 lbs Maximum Weight Capacity
(Evenly Distributed)
Mechanical Brake Spindle Nut For
Redundant Protection

ELECTRICAL

Synchronized Control Box
Simple "Paddle" Style Up/down Switch
Required - 1 NEMA 5-15 Receptacle*
Required - 120VAC, 15 Amp Circuit*
400 Watt Maximum Power Consumption (Under Max Load)
Standby Power Consumption < 0.3 Watts
Operating Temperature 0-35° C
Control Box Rated IP20

**Other plug types and power options are available upon request.*

MECHANICAL SPECS

Carbon Steel ASTM-A513 Construction Including:
6 in x 3 in x 1/8 in Width and Depth Tubes
2 in square 12 ga Support Tubes
3/8 in, 8 ga, 14 ga Sheet Steel
Vertical Telescoping Welded Frame with our
Patented Glide System, Custom Fit During Assembly

Specifications may vary based on system configuration and workload.

MB1200

ELECTRIC HEIGHT ADJUSTABLE
MACHINE BASE



LIFT CAPACITY

1200 lbs

STANDARD SIZES

Starting height: 26.5" | 30.5"
Widths: 36" | 48" | 60" | 72" | 84"
Depths: 24" | 30" | 36"

ADJUSTMENT

12" or 16" vertical adjustment
at .25" per second

Simple or programmable
control switch

STANDARD COLORS

- RAL 9003 - Signal White
- RAL 7037 - Dusty Grey
- OB07 - Matte Black

STABILITY

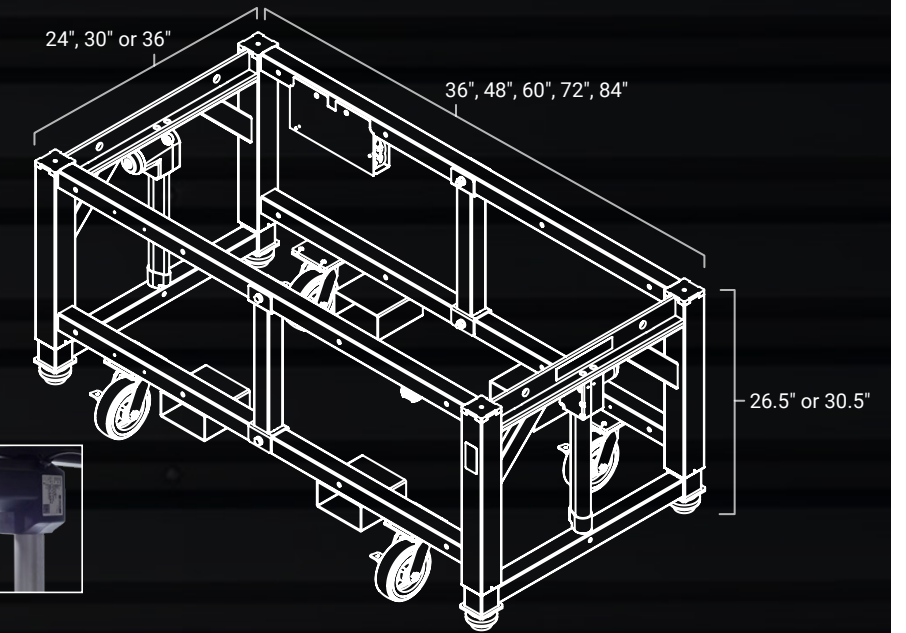
Rigid cold-rolled steel construction

Anti-vibration mounts with
retractable 6" swivel casters
or a bolt-to-floor option.



TECHNICAL

MB1200



ANCHORED MOUNTS

4 in x 5.5 in Tear-Drop Shape
9/16 in Anchor Hole
5/8-11 Thread
7.5° Range Of Motion
Ball-and-Socket Swivel
8 in Stud Length
6000 lbs Capacity Each

MIGHTY MOUNTS

Anti-Vibration, Leveling
3 in Diameter
3/8-16 Thread
8Hz Natural Frequency
700 lbs Capacity Each

CASTERS

6 in Swivel With Brake
(Rigid Casters Optional)
Polyurethane -
Shore A 80 Durometer
1100 lbs Capacity Each

ACTUATORS

Custom Designed 12 in or 16 in
Linear Actuators (Bolt-On)
IP66 Rated
Speed - 6.3 mm/Second
(1/4 in/Second) @ Zero Load
3.5 mm/Second
(9/64 in/Second) @ Max Load
1200 lbs Maximum Weight Capacity
(Evenly Distributed)
Mechanical Brake Spindle Nut For
Redundant Protection

ELECTRICAL

Synchronized Control Box
Simple "Paddle" Style Up/down Switch
Required - 1 NEMA 5-15 Receptacle*
Required - 120VAC, 15 Amp Circuit*
400 Watt Maximum Power Consumption (Under Max Load)
Standby Power Consumption < 0.3 Watts
Operating Temperature 0-35° C
Control Box Rated IP20

**Other plug types and power options
are available upon request.*

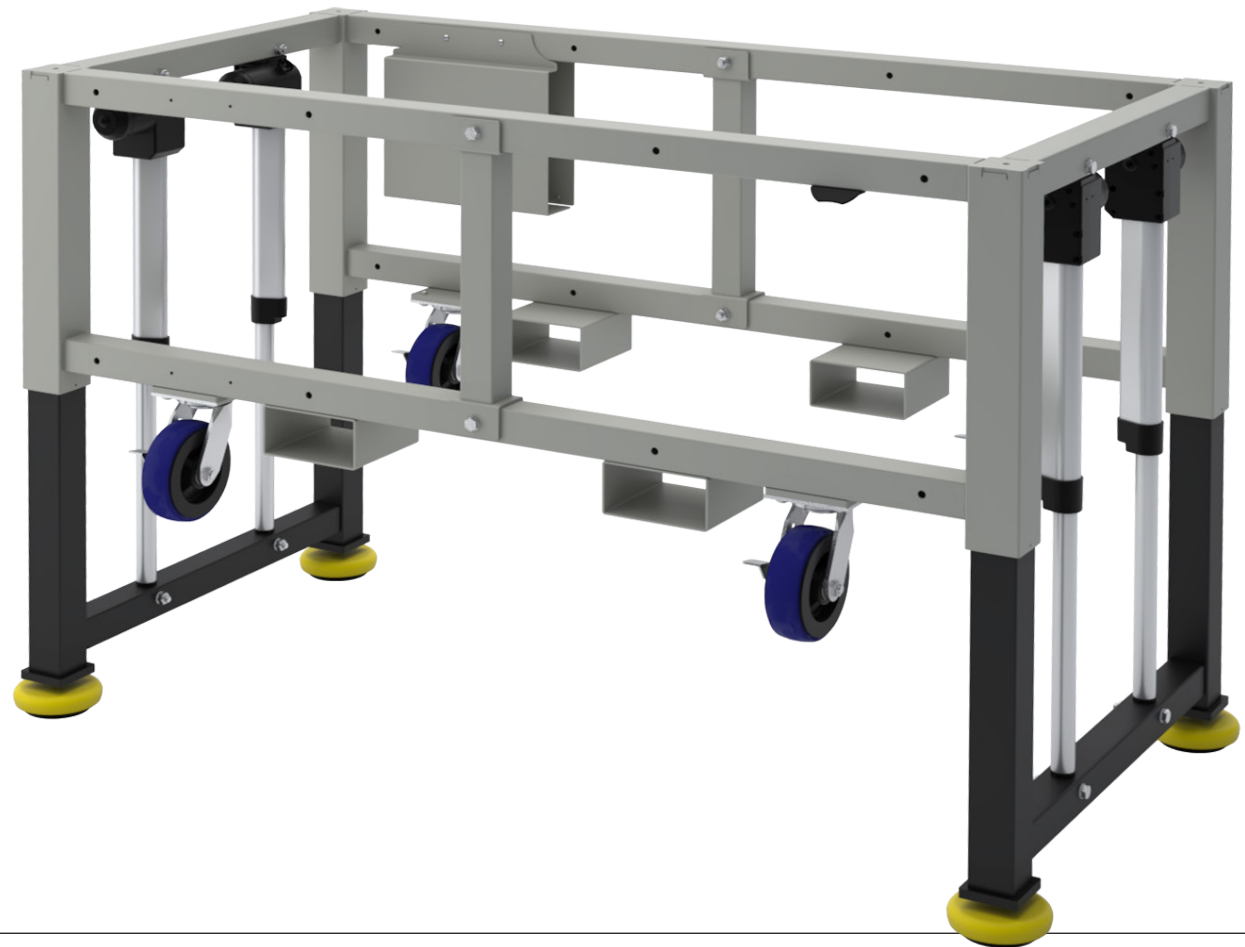
MECHANICAL SPECS

Carbon Steel (ASTM-A513) Construction including:
2 in Square 12 ga Horizontal Width and Depth Tubes
8 ga MIG Welded Modular Brackets - M8 Tapped Holes
70 mm Square Vertical Telescoping Columns
Patented Telescoping Glide System
Custom Fit For Each Column During Assembly
1/2 in Thick Column Top Mount Pads
Column Centered M10 Tapped Holes
3/8 in Thick MIG Welded M10 Tapped Caster Plates
6 in x 3 in x 1/8 in MIG Welded Fork Tube Targets

Specifications may vary based on system configuration and workload.

MB3500

ELECTRIC HEIGHT ADJUSTABLE
MACHINE BASE



LIFT CAPACITY

3500 lbs

STANDARD SIZES

Starting height: 26.5" | 30.5"
Widths: 36" | 48" | 60" | 72" | 84"
Depths: 30" | 36"

ADJUSTMENT

12" or 16" vertical adjustment
at .25" per second

Simple or programmable
control switch

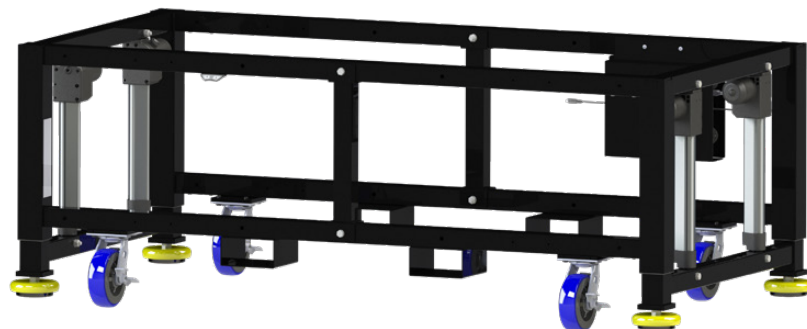
STANDARD COLORS

 RAL 9003 - Signal White
 RAL 7037 - Dusty Grey
 OB07 - Matte Black

STABILITY

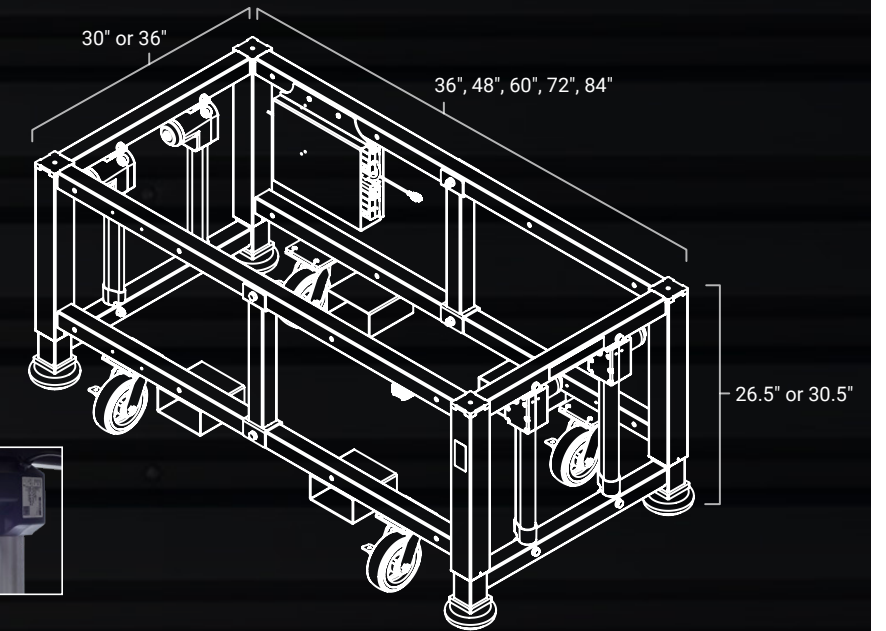
Rigid cold-rolled steel construction

Anti-vibration mounts with
retractable 6" swivel casters
or a bolt-to-floor option.



TECHNICAL

MB3500



ANCHORED MOUNTS

4 in x 5.5 in Tear-Drop Shape
9/16 in Anchor Hole
5/8-11 Thread
7.5° Range Of Motion
Ball-and-Socket Swivel
8 in Stud Length
6000 lbs Capacity Each

MIGHTY MOUNTS

Anti-Vibration, Leveling
5 in Diameter
5/8-11 Thread
8Hz Natural Frequency
2000 lbs Capacity Each

CASTERS

6 in Swivel With Brake
(Rigid Casters Optional)
Polyurethane -
Shore A 80 Durometer
1100 lbs Capacity Each

ACTUATORS

Custom Designed 12 in or 16 in
Linear Actuators (Bolt-On)
IP66 Rated
Speed - 6.3 mm/Second
(1/4 in/Second) @ Zero Load
3.5 mm/Second
(9/64 in/Second) @ Max Load
3500 lbs Maximum Weight Capacity
(Evenly Distributed)
Mechanical Brake Spindle Nut For
Redundant Protection

ELECTRICAL

Dual Cascading Synchronized Control Boxes
Simple "Paddle" Style Up/down Switch
Required - 2 NEMA 5-15 Receptacles*
Required - 120VAC, 15 Amp Circuit*
1200 Watt Maximum Power Consumption (Under Max Load)
Standby Power Consumption < 0.3 Watts
Operating Temperature 0-35° C
Control Box Rated IP20

**Other plug types and power options are
available upon request.*

MECHANICAL SPECS

Carbon Steel (ASTM-A513) Construction including:
2 in Square 12 ga Horizontal Width and Depth Tubes
8 ga MIG Welded Modular Brackets - M8 Tapped Holes
70 mm Square Vertical Telescoping Columns
Patented Telescoping Glide System
Custom Fit For Each Column During Assembly
1/2 in Thick Column Top Mount Pads
Column Centered M10 Tapped Holes
3/8 in Thick MIG Welded M10 Tapped Caster Plates
6 in x 3 in x 1/8 in MIG Welded Fork Tube Targets

Specifications may vary based on system configuration and workload.



BUILT SYSTEMS | MACHINE BASES